

# WHIRLWIND<sup>TM</sup>

## REGENERATIVE BLOWERS

WWW.WHIRLWINDREGENERATIVEBLOWERS.COM



### 18-MONTH WARRANTY

The Whirlwind<sup>TM</sup> Regenerative Blower is a rugged and dependable blower pump and the ideal solution for moving large volumes of air for high vacuum or compressed air applications.

The impeller is the only moving part in the Whirlwind Regenerative Blower and does not come in contact with the housing channels and is therefore "wear-free".

The Whirlwind Regenerative Blower can be mounted in any plane and with a dynamically balanced impeller generates little

### Features

- Rugged construction, low maintenance
- Oilless operation - No lubrication required
- Mounted at any plane
- Balanced aluminum impeller
- Motor designed to last beyond competitor's limitations
- Dual voltage motor

### Models

R4247  
42 CFM (60 Hz), 47" H<sub>2</sub>O (60 Hz)  
1" threaded inlet/outlet port

R5760  
57 CFM (60 Hz), 60" H<sub>2</sub>O (60 Hz)  
1-1/4" threaded inlet/outlet port

Superior replacement in a Bio-Microbics Fast Systems.

Order/Questions : 800-778-1540

Septic Tank Parts



TM

# WHIRLWIND REGENERATIVE BLOWERS

The Whirlwind Regenerative Blower is a rugged and dependable blower pump and the ideal solution for moving large volumes of air for high vacuum or compressed air applications.

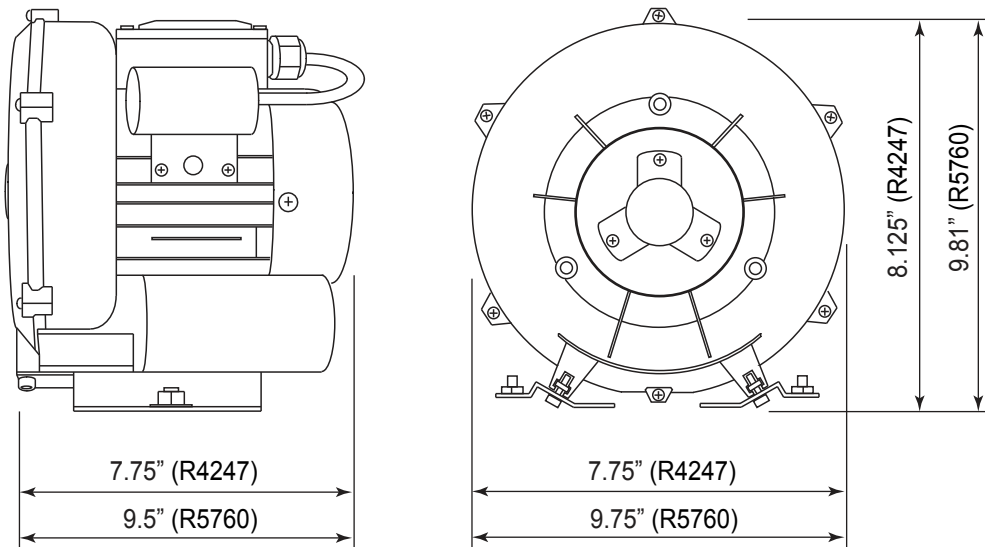
## Features

- Rugged construction, low maintenance
- Oilless operation - No lubrication required
- Mounted at any plane
- Balanced aluminum impeller
- Dual voltage motor (115V - 220V)
- Prewired 18" cord (115V)

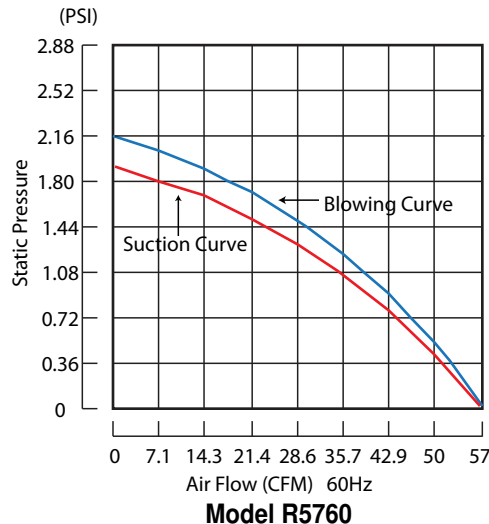
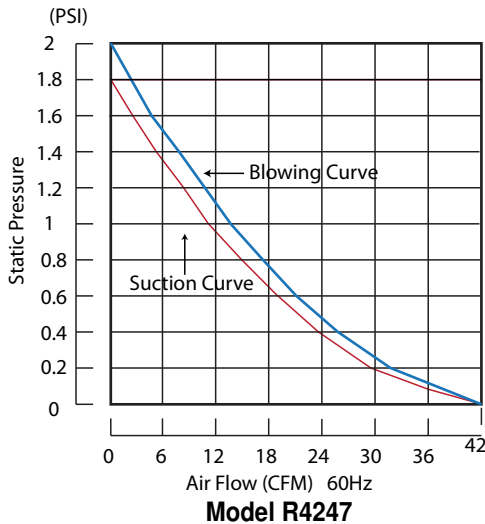
## Specifications

	R4247	R5760
Max Air flow	42 cfm (60Hz)	57 cfm (60 Hz)
Max Pres in Water Depth	47" H <sub>2</sub> O (60 Hz)	60" H <sub>2</sub> O (60 Hz)
Max. Vacuum	43" H <sub>2</sub> O (60 Hz)	55" H <sub>2</sub> O (60 Hz)
PSI Max	1.4 to 1.7	1.88 to 2.17
Motor	1/4 HP	1/2 HP
Voltage	120/1PH, 220/1PH	120/1 Ph, 220/1 Ph
Amps	5.0 at 110-120V 2.5 at 220-240V	7.8 at 110-120V 3.9 at 220-240V
Unit Dimensions	7.87" x 7.04" x 8.38"	9.5" x 9.75" x 9.81"
Unit Weight	16.5 lbs.	28 lbs.

## Unit Dimensions



## Performance Curves



The information presented in charts is based on technical and test results of nominal units. It is believed to be accurate and is offered as an aid in selecting products. It is the user's responsibility to determine suitability of the product for intended use and the end user assumes all risk and liability whatsoever in connection therewith. Environmental and application conditions may affect life.

\* MicroFAST is a registered trademark of Bio-Microbics., Inc.

Septic Tank Parts reserves the right under its product improvement policy to change construction or design detail without obligation regarding previous models and to furnish equipment when so altered without reference to illustrations or specifications used here.

Septic Tank Parts • 7059 Hwy 47 (shipping) P.O. Box 632 (mail) • Union, Missouri 63084 • Tel: 800-778-1540 Fax 636-583-6432 • sales@septic-tank-parts.com

Copyright © Septic Tank Parts 2019  
All rights reserved.

www.septic-tank-parts.com • www.whirlwindregenerativeblower.com